

TECHNICAL DATA SHEET

UPM Euca

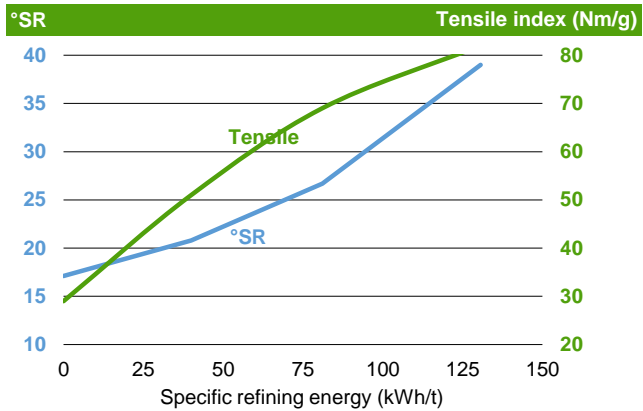
ECF Bleached Eucalyptus Kraft Pulp
Pulp mill: UPM Fray Bentos

Date of issue: 08.04.2019

PULP CHARACTERISTICS

	Typical value	Spec
Brightness, ISO % ISO 2470-1; ISO 3688 handsheet	90	≥ 89
Impurities, mm ² /kg ISO 5350	1	
Extractives, % SCAN-CM 49:93	0,1	≤ 0,2
Ash content, % ISO 1762	0,4	≤ 0,7
pH ISO 6588	5,7	5,0-7,0

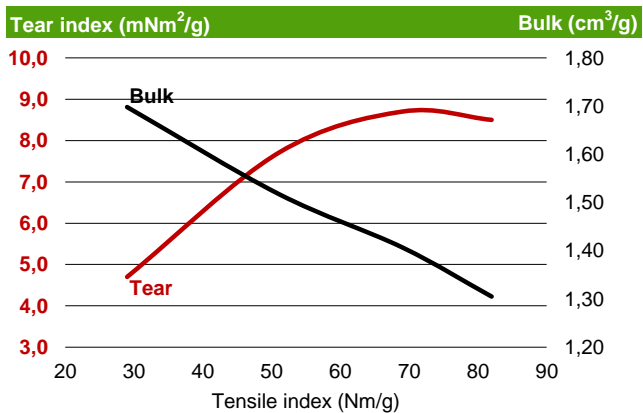
REFINABILITY



FIBRE CHARACTERISTICS

	Typical value
Fibre length, mm Metso FS5	0,9
Coarseness, mg/m Metso FS5	0,06

TEAR AND BULK AT TENSILE



RAW MATERIAL

Hardwood

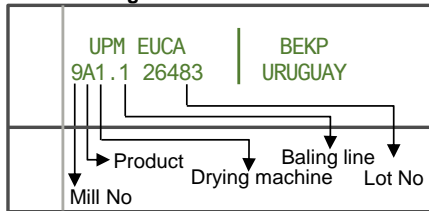
Eucalyptus 100%
E. grandis, dunnii, globulus, maidenii

Specific Refining Energy	CSF	SR number	Tensile index	Stiffness index	Tear index	Scott Bond	Bulk	Opacity	Air res. Gurley
kWh/t	ml		Nm/g	Nm/g	mNm ² /g	J/m ²	cm ³ /g	%	s
0	566	17	29	4,6	4,7	100	1,70	78,5	2,2
40	493	21	51	6,1	7,7	253	1,52	76,0	4,5
81	398	27	69	7,1	8,7	449	1,41	74,2	13,1
131	276	39	82	7,8	8,5	767	1,31	72,2	52,0
31	509	20	46	5,8	7,0	220	1,56	76,5	4,0
69	425	25	64	6,8	8,4	393	1,44	74,7	10,6
94	365	30	72	7,3	8,6	534	1,38	73,7	23,5
38	498	20	50	6,0	7,6	242	1,52	76,1	4,0
61	445	24	60	6,6	8,2	351	1,46	75,1	8,8
85	389	28	70	7,2	8,7	473	1,40	74,0	16,1

Typical values are averages from all mill quality control samples during 2018. They are given in good faith to represent mill performance and do not constitute contractual undertaking. Values in the table are mean (indicative) values from pulp testing with Voith-Sulzer refining, using standard water. Specific Edge Load 0,5 J/m, ISO testing methods (H 50%, 23 °C, 60 g/m² sheets).

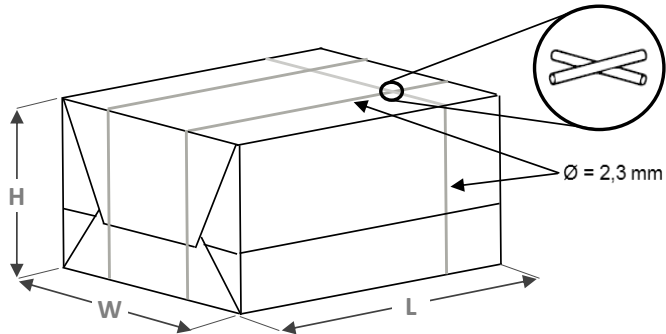
UPM Euca

Bale marking



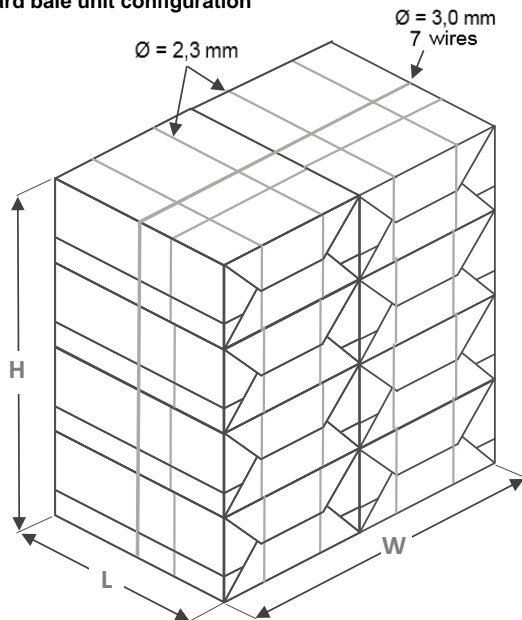
Sheets	
Size:	92 x 67 cm
Grammage:	1000 - 1200 g/m ²

Standard Bale



Standard bale	
Size:	L = 96 cm W = 69 cm H = 45 cm
Weight:	250 kg
Wrapping:	Pulp sheets (unwrapped on demand)
Markings:	Green watersoluble inkjet printing. Country, company name, product code and bale number on both sides, on every second bale.
Wires:	3 galvanized wires, diameter 2,3 mm.

Standard bale unit configuration



Standard unit	
Size:	L = 96 cm W = 139 cm H = 180 cm
Weight:	2000 kg (8x250 kg)
Wires:	7 galvanized wires, diameter 3,0 mm



UPM-Kymmene Corporation

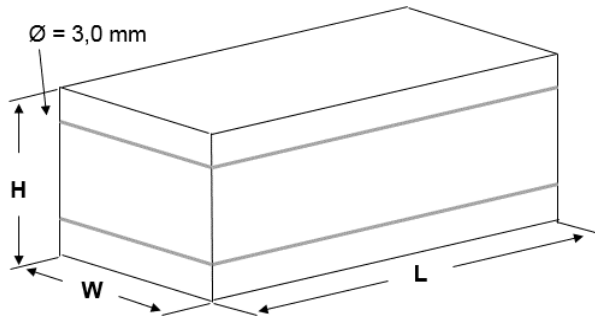
Alvar Aallon katu 1
PO Box 380
FI-00101 Helsinki, Finland

Contact information:

Niklas Keskinen Senior Product Manager, tel. +358 40 585 278
niklas.keskinen@upm.com
www.upmpulp.com

UPM Euca

Big bale



Sheets

Size: 92 x 67 cm

Grammage: 1000 - 1200 g/m²

Big bale

Size: L = 180 cm

W = 94 cm

H = 68 cm

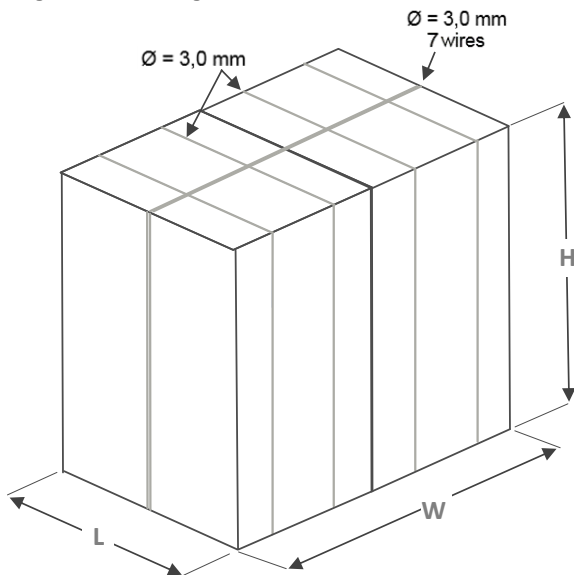
Weight: 1000 kg

Wrapping: No wrapping

Markings: Green watersoluble inkjet printing.
Country, company name, product code
and bale number on both sides.

Wires: 2 galvanized wires,
diameter 3,0 mm

Big bale unit configuration



Big bale unit

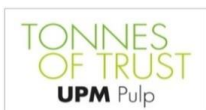
Size: L = 94 cm

W = 137 cm

H = 180 cm

Weight: 2000 kg (2x1000 kg)

Wires: 7 galvanized wires,
diameter 3,0 mm



UPM-Kymmene Corporation

Alvar Aallon katu 1

PO Box 380

FI-00101 Helsinki, Finland

Contact information:

Niklas Keskinen Senior Product Manager, tel. +358 40 585 278

niklas.keskinen@upm.com

www.upmpulp.com