

TECHNICAL DATA SHEET

UPM Conifer

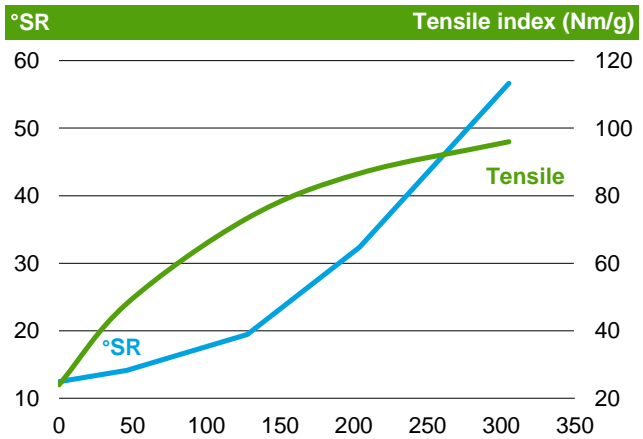
ECF Bleached Northern Softwood Kraft Pulp
Pulp mill: UPM Pietarsaari

Date of issue: 08.04.2019

PULP CHARACTERISTICS

	Typical value	Spec
Brightness, ISO % ISO 2470-1	89	≥ 88
Impurities, mm ² /kg ISO 5350	2	
Extractives, % SCAN-CM 49:93	0,04	≤ 0,15
Ash content, % ISO 1762	0,1	≤ 0,2
pH ISO 6588	5,6	5,0-7,0

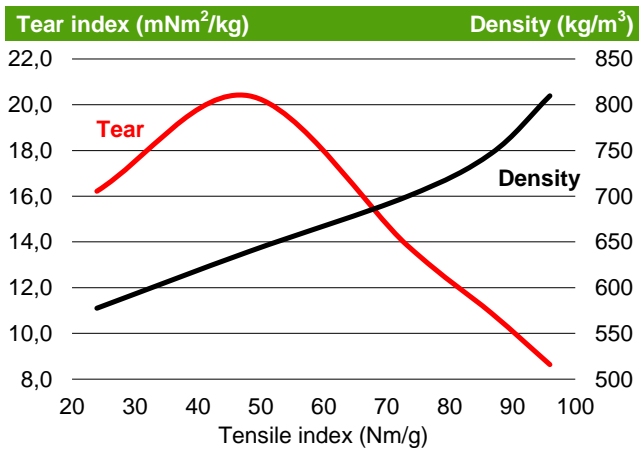
REFINABILITY



FIBRE CHARACTERISTICS

	Typical value
Fibre length, mm Metso FS5	2,13
Coarseness, mg/m Metso FS5	0,15

TEAR AND DENSITY AT TENSILE



RAW MATERIAL

Softwood

Pine (*Pinus Silvestris*), Spruce (*Picea Abies*)

Specific Refining Energy	CSF	SR number	Tensile index	Stiffness index	Tear index	Scott Bond	Density	Opacity	Air res.
kWh/t	ml		Nm/g	Nm/g	mNm ² /g	J/m ²	kg/m ³	%	s
0	718	12	24	3,7	16,2	110	578	71,9	1,4
46	684	14	48	5,8	20,4	242	639	68,1	2,0
128	554	19	73	7,6	13,8	477	700	64,4	11
204	362	32	87	8,5	10,9	786	747	61,8	134
305	164	57	96	9,2	8,6	1325	810	58,5	2690
50	681	14	50	5,9	20,7	252	644	67,8	2,1
117	571	19	70	7,3	14,7	446	692	64,9	10
241	290	41	90	8,7	10,1	981	769	60,6	1059
136	541	20	76	7,7	13,2	501	706	64,0	12
160	472	25	79	8,0	12,6	610	720	63,3	64
190	397	30	84	8,3	11,4	730	738	62,3	112

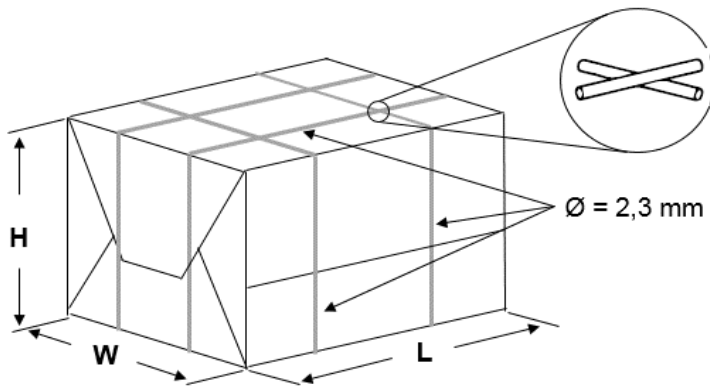
Typical values are averages from all mill quality control samples during 2018. They are given in good faith to represent mill performance and do not constitute contractual undertaking. Values in the table are mean (indicative) values from pulp testing with Voith-Sulzer refining, using standard water. Specific Edge Load 2,5 J/m, ISO testing methods (H 50%, 23 °C, 60 gr/m² sheets).

UPM Conifer Pietarsaari

Bale marking

	UPM Conifer	NBSK	
	8 H	54504	FIN
	↓ Mill No	↓ Product	↓ Lot No

Standard bale



Sheets

Size: 86 x 70 cm

Grammage 1250 g/m²

Standard bale

Size: L = 90 cm
W = 73 cm
H = 42,5 cm

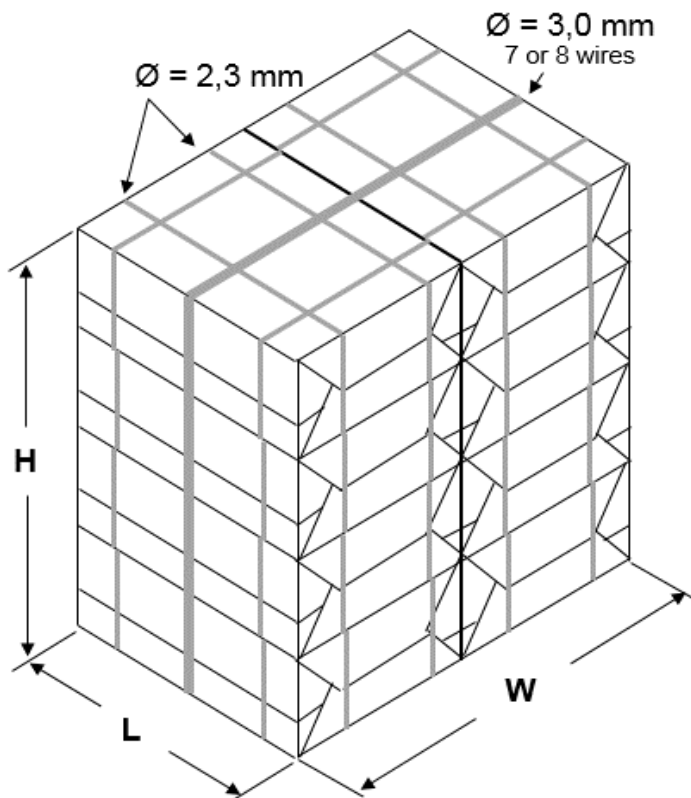
Weight: 250 kg

Wrapping: Pulp sheets (unwrapped on demand)

Markings: Blue watersoluble inkjet printing.
Country, company name, product code and bale number on both sides.

Wires: 4 galvanized wires,
diameter 2,3 mm.

Standard bale unit configuration



Standard bale unit configuration

Standard bale units

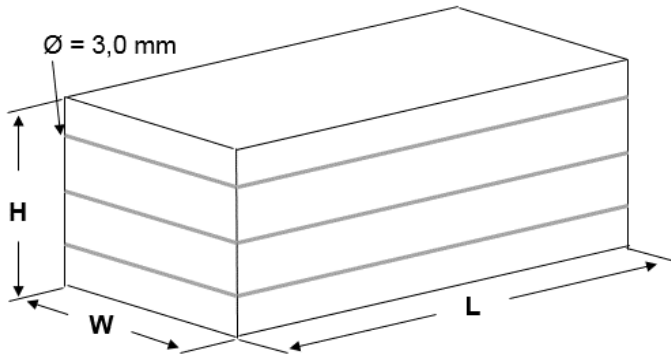
Size: L = 90 cm
W = 146 cm
H = 170cm

Weight: 2000 kg (8 x 250 kg)

Wires: 7 or 8 galvanized wires,
diameter 3,0 mm

UPM Conifer Pietarsaari

Big bale



Sheets

Size: 86 x 70 cm

Grammage 1250 g/m²

Big bale

Size: L = 170 cm

W = 88 cm

H = 72cm

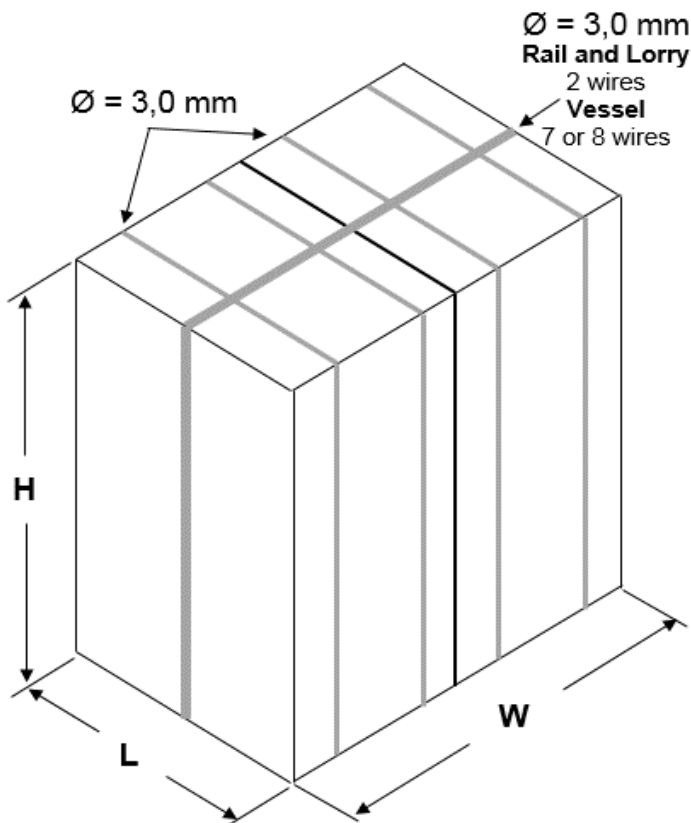
Weight: 1000 kg

Wrapping: No wrapping

Markings: Blue watersoluble inkjet printing.
Country, company name, product code
and bale number on both
sides.

Wires: 3 galvanized wires,
diameter 3,0 mm

Big bale unit configuration



Big bale unit configuration

Big bale units

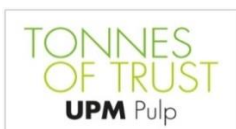
Size: L = 88 cm

W = 144 cm

H = 170cm

Weight: 2000 kg (2 x 1000 kg)

Wires: Vessel 7 or 8 galvanized
wires, Rail and Lorry 2 wires
diameter 3,0 mm



UPM-Kymmene Corporation

Alvar Aallon katu 1

PO Box 380

FI-00101 Helsinki, Finland

Contact information:

Niklas Keskinen Senior Product Manager, tel. +358 40 585 2781

niklas.keskinen@upm.com

www.upmpulp.com