

TECHNICAL DATA SHEET

UPM Conifer

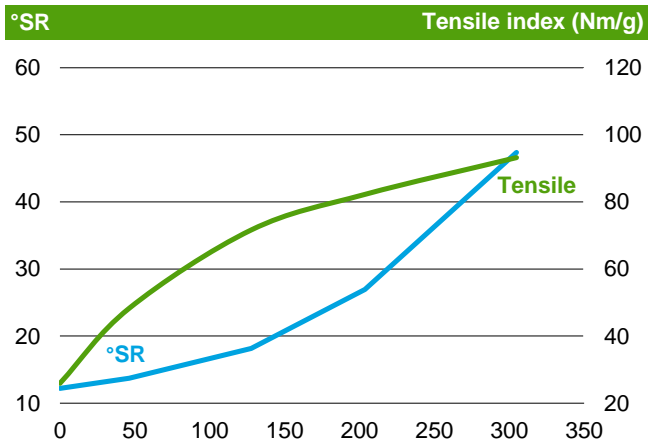
ECF Bleached Northern Softwood Kraft Pulp
Pulp mill: UPM Kymi

Date of issue: 08.04.2019

PULP CHARACTERISTICS

	Typical value	Spec
Brightness, ISO % ISO 2470-1	89	≥ 88
Impurities, mm ² /kg ISO 5350	2	
Extractives, % SCAN-CM 49:93	0,04	≤ 0,15
Ash content, % ISO 1762	0,1	≤ 0,2
pH ISO 6588	5,8	5,0-7,0

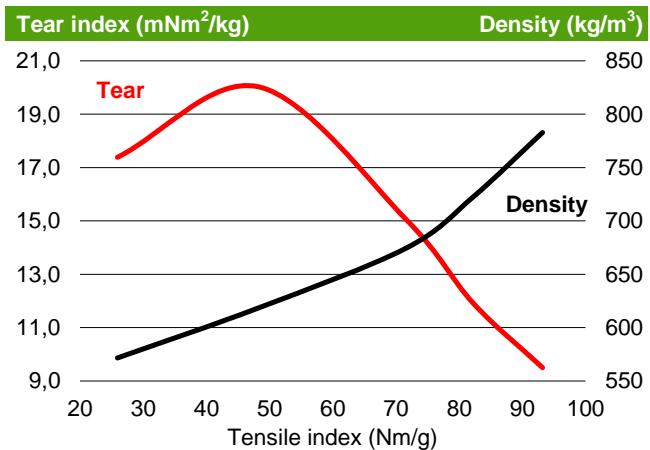
REFINABILITY



FIBRE CHARACTERISTICS

	Typical value
Fibre length, mm Metso FS5	2,15
Coarseness, mg/m Metso FS5	0,15

TEAR AND DENSITY AT TENSILE



RAW MATERIAL

Softwood

Pine (*Pinus Silvestris*), Spruce (*Picea Abies*)

Specific Refining Energy	CSF	SR number	Tensile index	Stiffness index	Tear index	Scott Bond	Density	Opacity	Air res.
kWh/t	ml		Nm/g	Nm/g	mNm ² /g	J/m ²	kg/m ³	%	s
0	720	12	26	3,8	17,4	119	572	71,4	1,3
46	695	14	48	5,6	20,0	225	619	68,3	1,6
128	583	18	72	7,3	15,1	412	675	65,1	6
204	424	27	82	8,1	11,9	658	723	62,7	55
305	219	47	93	8,9	9,5	1040	783	59,9	988
50	694	14	50	5,8	20,2	233	622	68,1	1,6
122	591	18	70	7,2	15,4	398	671	65,3	6
275	279	41	90	8,7	10,2	928	765	60,7	715
144	550	20	74	7,4	14,4	463	685	64,6	16
187	460	25	80	7,9	12,6	603	712	63,2	44
219	394	30	84	8,2	11,5	715	732	62,3	194

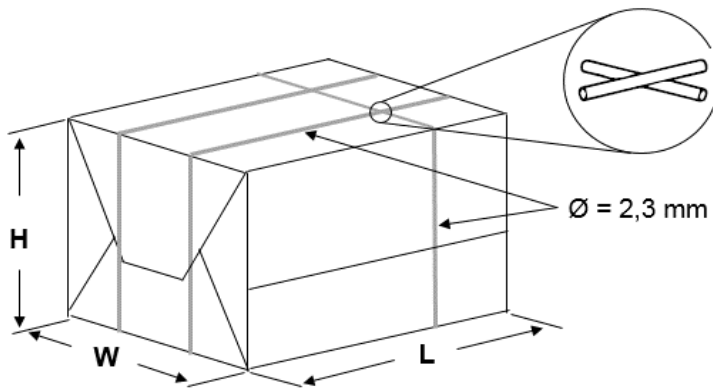
Typical values are averages from all mill quality control samples during 2018. They are given in good faith to represent mill performance and do not constitute contractual undertaking. Values in the table are mean (indicative) values from pulp testing with Voith-Sulzer refining, using standard water. Specific Edge Load 2,5 J/m, ISO testing methods (H 50%, 23 °C, 60 gr/m² sheets).

UPM Conifer Kymi

Bale marking

	UPM Conifer	NBSK
5 4	54504	FIN
Mill No	Product	Lot No

Standard bale



Standard bale

Size:	L =	89 cm
	W =	73 cm
	H =	43,5 cm

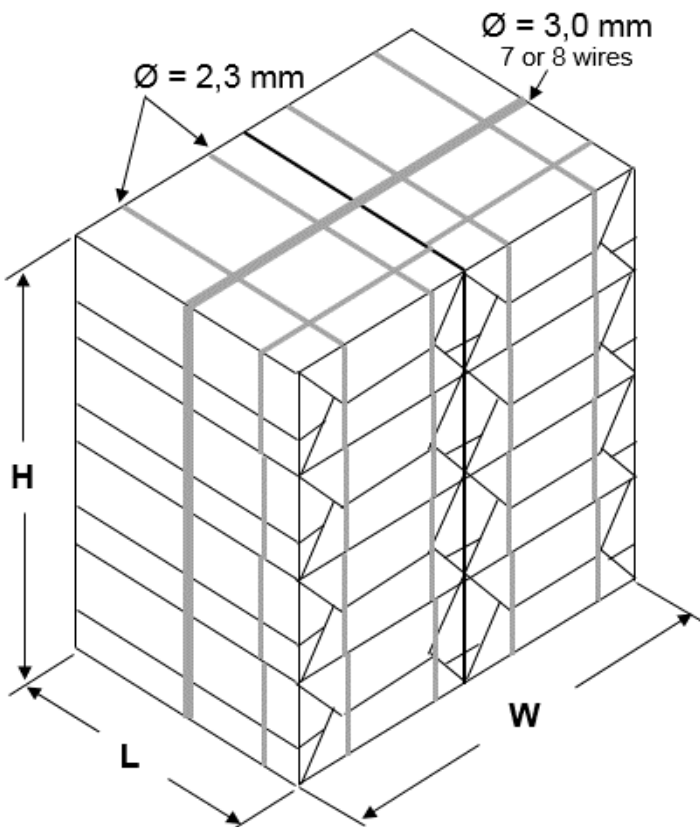
Weight: 250 kg

Wrapping: Pulp sheets (unwrapped on demand)

Markings: Blue watersoluble inkjet printing. Country, company name, product code and bale number on both sides.

Wires: 3 galvanized wires, diameter 2,3 mm.

Standard bale unit configuration



Standard bale unit configuration

Standard bale units

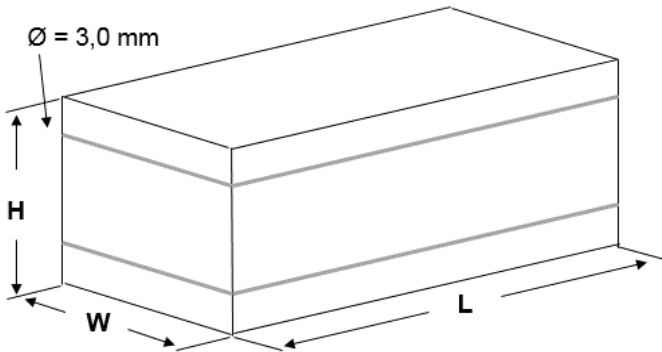
Size:	L =	89 cm
	W =	146 cm
	H =	175cm

Weight: 2000 kg (8 x 250 kg)

Wires: 7 or 8 galvanized wires, diameter 3,0 mm

UPM Conifer Kymi

Big bale



Sheets	
Size:	85 x 70 cm
Grammage:	1100 g/m ²

Big bale	
Size:	L = 175 cm
	W = 87 cm
	H = 72cm

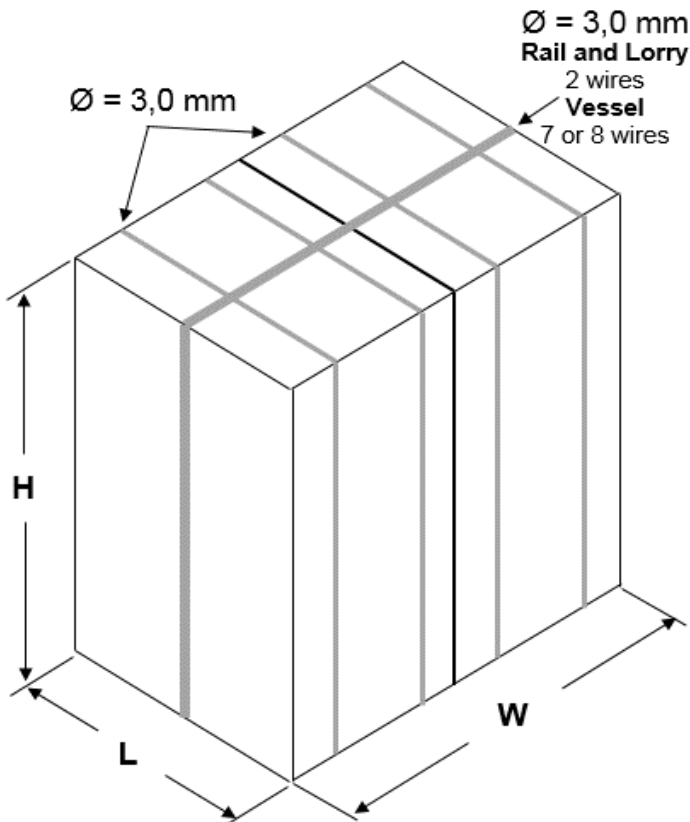
Weight: 1000 kg

Wrapping: No wrapping

Markings: Blue watersoluble inkjet printing. Country, company name, product code and bale number on both sides.

Wires: 2 galvanized wires, diameter 3,0 mm

Big bale unit configuration



Big bale unit configuration

Big bale units	
Size:	L = 87 cm
	W = 144 cm
	H = 175cm

Weight: 2000 kg (2 x 1000 kg)

Wires: Vessel 7 or 8 galvanized wires, Rail and Lorry 2 wires diameter 3,0 mm