

# TECHNICAL DATA SHEET

## UPM Conifer Thin

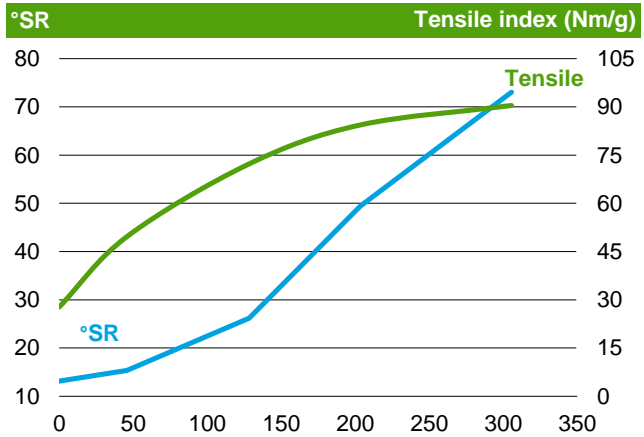
ECF Bleached Northern Softwood Kraft Pulp  
Pulp mill: UPM Pietarsaari

Date of issue: 08.04.2019

### PULP CHARACTERISTICS

	Typical value	Spec
Brightness, ISO % ISO 2470-1	<b>89</b>	≥ 88
Impurities, mm <sup>2</sup> /kg ISO 5350	<b>2</b>	
Extractives, % SCAN-CM 49:93	<b>0,05</b>	≤ 0,15
Ash content, % ISO 1762	<b>0,2</b>	≤ 0,3
pH ISO 6588	<b>5,6</b>	<b>5,0-7,0</b>

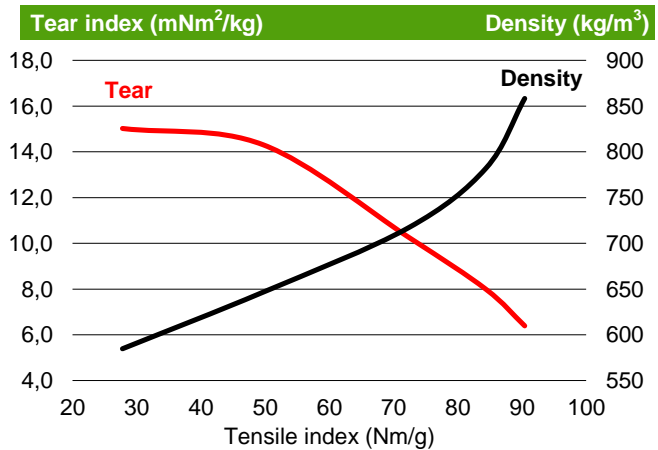
### REFINABILITY



### FIBRE CHARACTERISTICS

	Typical value
Fibre length, mm Metso FS5	<b>1,92</b>
Coarseness, mg/m Metso FS5	<b>0,15</b>

### TEAR AND DENSITY AT TENSILE



### RAW MATERIAL

#### Softwood

Pine (Pinus Silvestris), Spruce (Picea Abies)

Specific Refining Energy	CSF	SR number	Tensile index	Stiffness index	Tear index	Scott Bond	Density	Opacity	Air res.
kWh/t	ml		Nm/g	Nm/g	mNm <sup>2</sup> /g	J/m <sup>2</sup>	kg/m <sup>3</sup>	%	s
0	693	13	28	4,1	15,0	124	585	72,7	1,7
46	646	15	50	5,9	14,3	261	647	69,0	2,7
128	439	26	72	7,5	10,3	598	717	64,9	28
204	229	49	84	8,4	8,0	1112	782	61,7	596
306	73	73	90	9,0	6,4	1673	858	55,5	17940
47	642	16	50	5,9	14,3	266	648	68,9	3,0
120	460	25	70	7,4	10,7	564	710	65,3	25
298	84	71	90	9,0	6,5	1633	853	55,9	16705
81	557	20	59	6,6	12,6	405	677	67,2	13,4
119	462	25	70	7,4	10,7	560	709	65,3	25
141	405	30	74	7,7	9,9	682	727	64,3	121

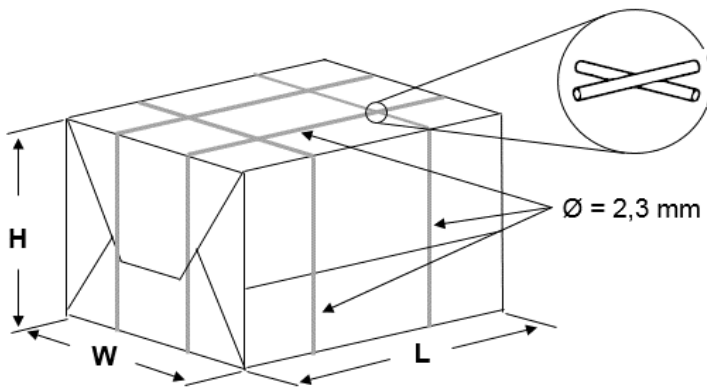
Typical values are averages from all mill quality control samples during 2018. They are given in good faith to represent mill performance and do not constitute contractual undertaking. Values in the table are mean (indicative) values from pulp testing with Voith-Sulzer refining, using standard water. Specific Edge Load 2,5 J/m, ISO testing methods (H 50%, 23 °C, 60 gr/m<sup>2</sup> sheets).

## UPM Conifer Thin

### Bale marking

	UPM Conifer Thin	NBSK	
	8 P	54504	FIN
	↓	↓	↓
	Mill No	Product	Lot No

### Standard bale



### Sheets

<b>Size:</b>	84 x 73 cm
<b>Grammage:</b>	850 g/m <sup>2</sup>

### Standard bale

<b>Size:</b>	L =	88 cm
	W =	76 cm
	H =	40 cm

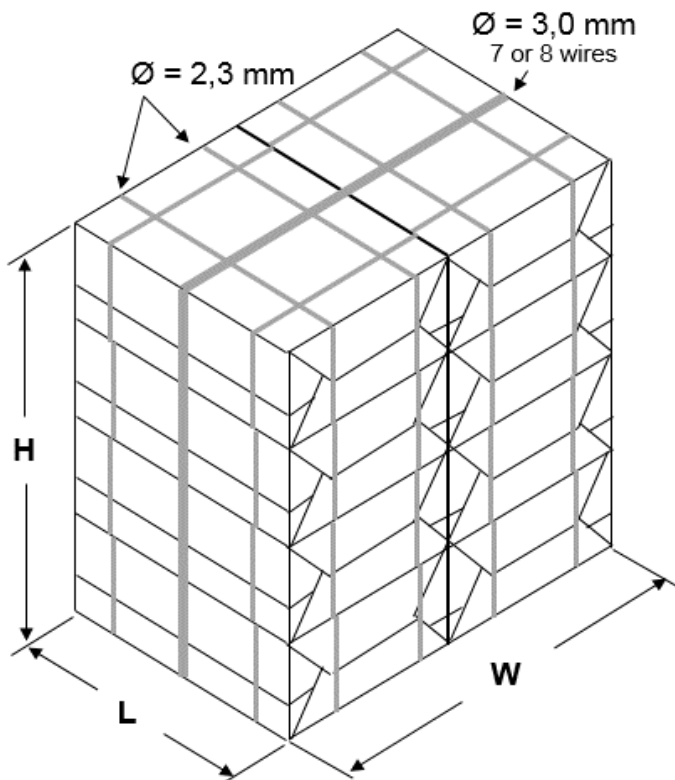
**Weight:** 250 kg

**Wrapping:** Pulp sheets (unwrapped on demand)

**Markings:** Blue watersoluble inkjet printing.  
Country, company name, product code and bale number on both sides.

**Wires:** 4 galvanized wires,  
diameter 2,3 mm.

### Standard bale unit configuration



### Standard bale unit configuration

#### Standard bale units

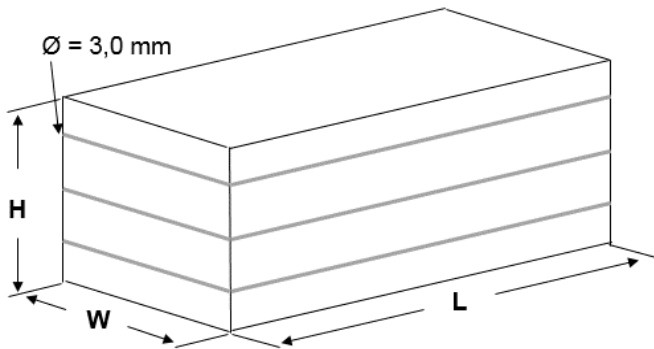
<b>Size:</b>	L =	88 cm
	W =	152 cm
	H =	160 cm

**Weight:** 2000 kg (8 x 250 kg)

**Wires:** 7 or 8 galvanized wires,  
diameter 3,0 mm

## UPM Conifer Thin

### Big bale



#### Sheets

<b>Size:</b>	84 x 73 cm
<b>Grammage:</b>	850 g/m <sup>2</sup>

#### Big bale

<b>Size:</b>	L =	160 cm
	W =	86 cm
	H =	75cm

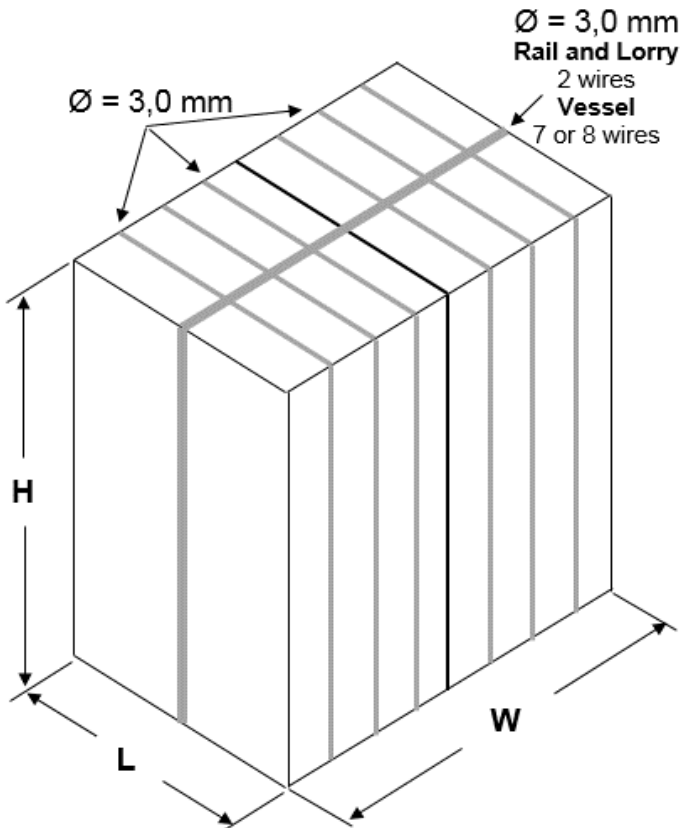
**Weight:** 1000 kg

**Wrapping:** No wrapping

**Markings:** Blue watersoluble inkjet printing.  
Country, company name, product code and bale number on both sides.

**Wires:** 3 galvanized wires,  
diameter 3,0 mm

### Big bale unit configuration



#### Big bale unit configuration

##### Big bale units

<b>Size:</b>	L =	86 cm
	W =	150 cm
	H =	160cm

**Weight:** 2000 kg (2 x 1000 kg)

**Wires:** Vessel 7 or 8 galvanized wires, Rail and Lorry 2 wires  
diameter 3,0 mm



**UPM-Kymmene Corporation**  
Alvar Aallon katu 1  
PO Box 380  
FI-00101 Helsinki, Finland

#### Contact information:

Niklas Keskinen Senior Product Manager, tel. +358 40 585 2781  
niklas.keskinen@upm.com  
www.upmpulp.com