

TECHNICAL DATA SHEET

UPM Betula

ECF Bleached Birch Kraft Pulp

Pulp mill: UPM Pietarsaari

Date of issue: 08.04.2019

PULP CHARACTERISTICS

	Typical value	Spec
Brightness, ISO % ISO 2470-1	89	≥ 88
Impurities, mm ² /kg ISO 5350	2	
Extractives, % SCAN-CM 49:93	0,2	≤ 0,4
Ash content, % ISO 1762	0,4	≤ 0,7
pH ISO 6588	5,5	5,0-7,0

FIBRE CHARACTERISTICS

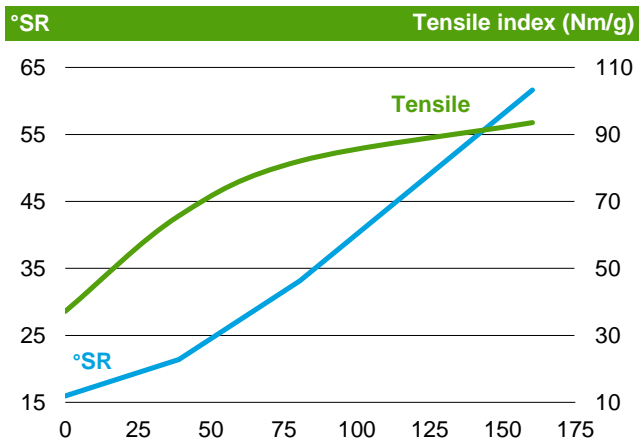
	Typical value
Fibre length, mm Metso FS5	1,04
Coarseness, mg/m Metso FS5	0,08

RAW MATERIAL

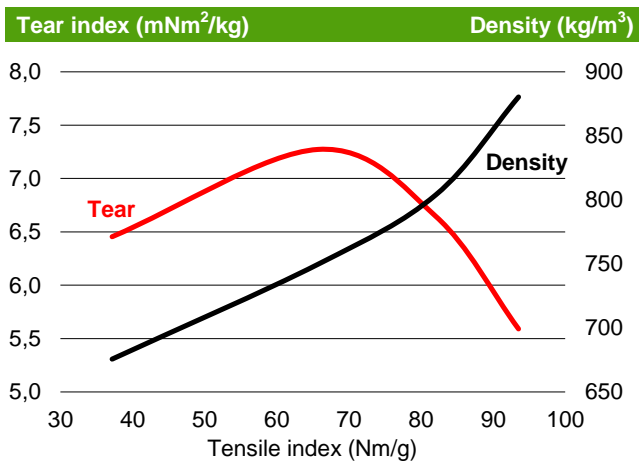
Hardwood

Birch, Aspen and Sawdust

REFINABILITY



TEAR AND DENSITY AT TENSILE



Specific Refining Energy	CSF	SR number	Tensile index	Stiffness index	Tear index	Scott Bond	Density	Opacity	Air res.
kWh/t	ml		Nm/g	Nm/g	mNm ² /g	J/m ²	kg/m ³	%	s
0	585	16	37	5,7	6,5	177	676	73,8	3,6
39	489	21	66	7,5	7,3	435	750	69,4	13
81	335	33	82	8,6	6,6	802	804	66,3	92
160	129	62	94	9,4	5,6	1501	880	59,5	3464
18	542	18	50	6,5	6,8	293	709	71,8	7,7
50	449	24	70	7,8	7,1	531	764	68,6	34
136	192	53	90	9,1	5,9	1286	857	61,6	2427
29	514	20	58	7,1	7,1	368	731	70,5	10,4
52	442	25	71	7,9	7,1	547	766	68,4	37
69	377	30	78	8,3	6,8	704	789	67,1	71

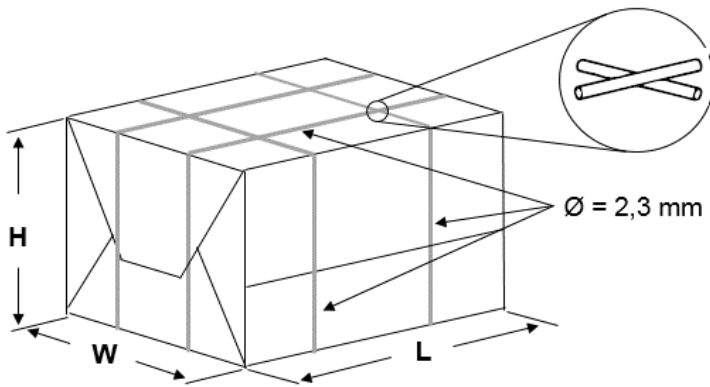
Typical values are averages from all mill quality control samples during 2018. They are given in good faith to represent mill performance and do not constitute contractual undertaking. Values in the table are mean (indicative) values from pulp testing with Voith-Sulzer refining, using standard water. Specific Edge Load 0,5 J/m, ISO testing methods (H 50%, 23 °C, 60 gr/m² sheets).

UPM Betula Pietarsaari

Bale marking

	UPM Betula	BHKP	
	8 B	54504	FIN
	↓ Mill No	↓ Product	↓ Lot No

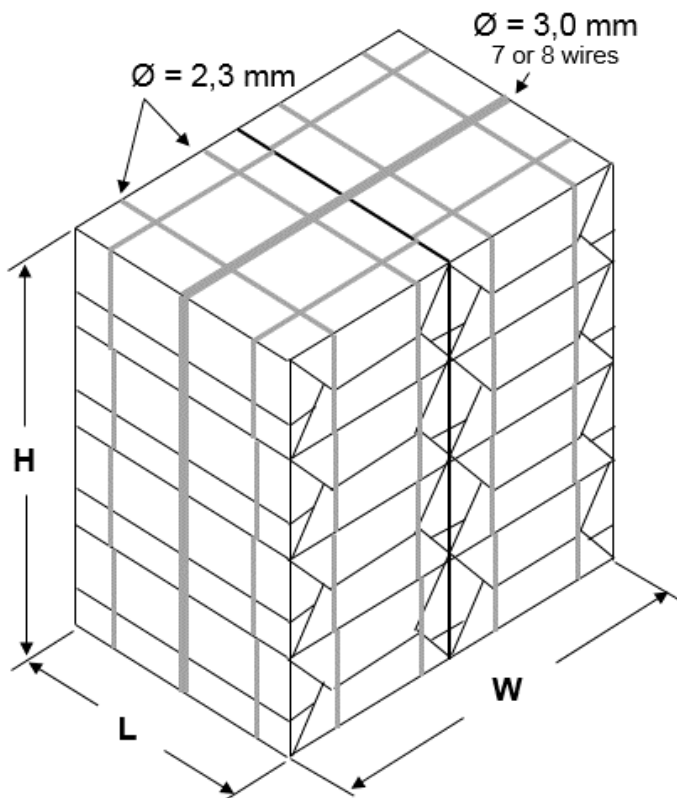
Standard bale



Standard bale

Size:	L =	88 cm
	W =	76 cm
	H =	40 cm
Weight:	250 kg	
Wrapping:	Pulp sheets (unwrapped on demand)	
Markings:	Red watersoluble inkjet printing. Country, company name, product code and bale number on both sides.	
Wires:	4 galvanized wires, diameter 2,3 mm.	

Standard bale unit configuration



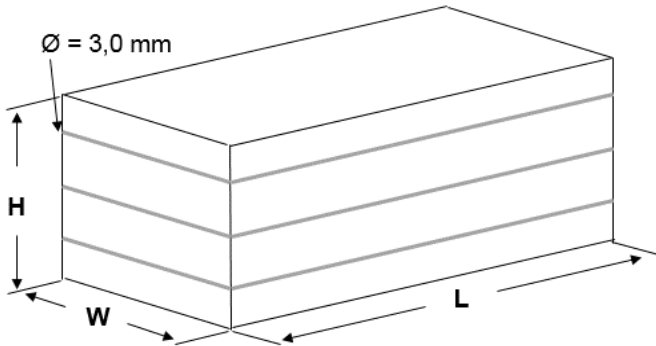
Standard bale unit configuration

Standard bale units

Size:	L =	88 cm
	W =	152 cm
	H =	160cm
Weight:	2000 kg (2 x 1000 kg)	
Wires:	Vessel 7 or 8 galvanized wires	

UPM Betula Pietarsaari

Big bale



Sheets

Size:	84 x 73 cm
Grammage:	850 g/m ²

Big bale

Size:	L =	160 cm
	W =	86 cm
	H =	75cm

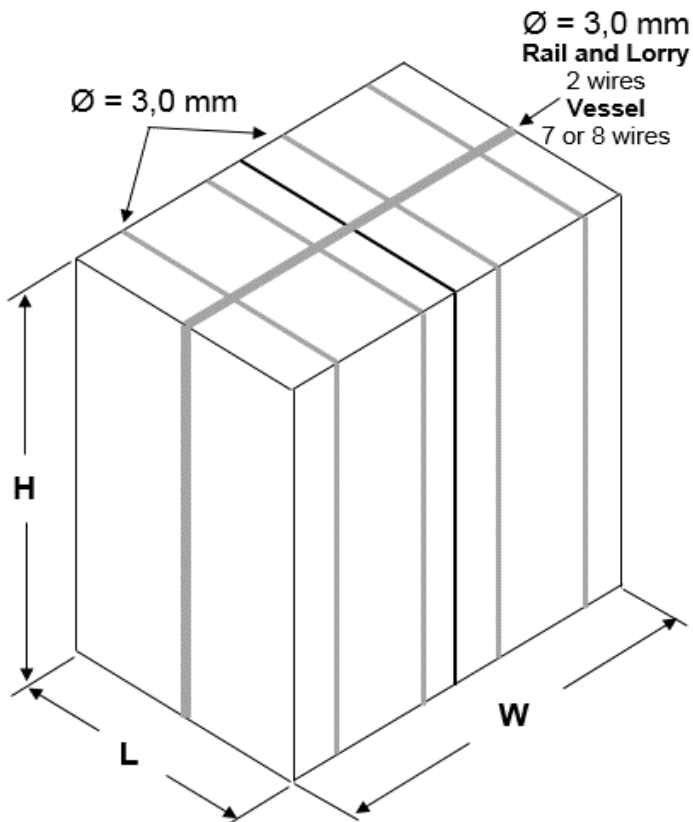
Weight: 1000 kg

Wrapping: No wrapping

Markings: Red watersoluble inkjet printing.
Country, company name, product code and bale number on both sides.

Wires: 3 galvanized wires,
diameter 3,0 mm

Big bale unit configuration



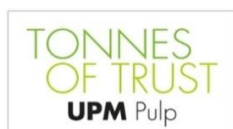
Big bale unit configuration

Big bale units

Size:	L =	86 cm
	W =	150 cm
	H =	160cm

Weight: 2000 kg (8 x 250 kg)

Wires: Vessel 7 or 8 galvanized wires, Rail and Lorry 2 wires
diameter 3,0 mm



UPM-Kymmene Corporation

Alvar Aallon katu 1
PO Box 380
FI-00101 Helsinki, Finland

Contact information:

Niklas Keskinen Senior Product Manager , tel. +358 40 585 2781
niklas.keskinen@upm.com
www.upmpulp.com